

## Westmere Sink

### FEATURES:

- Concealed overflow drain
- Vitreous China
- For Oval Cutout: 16-3/4" x 13-3/4"
- Basin clamps included
- White finish

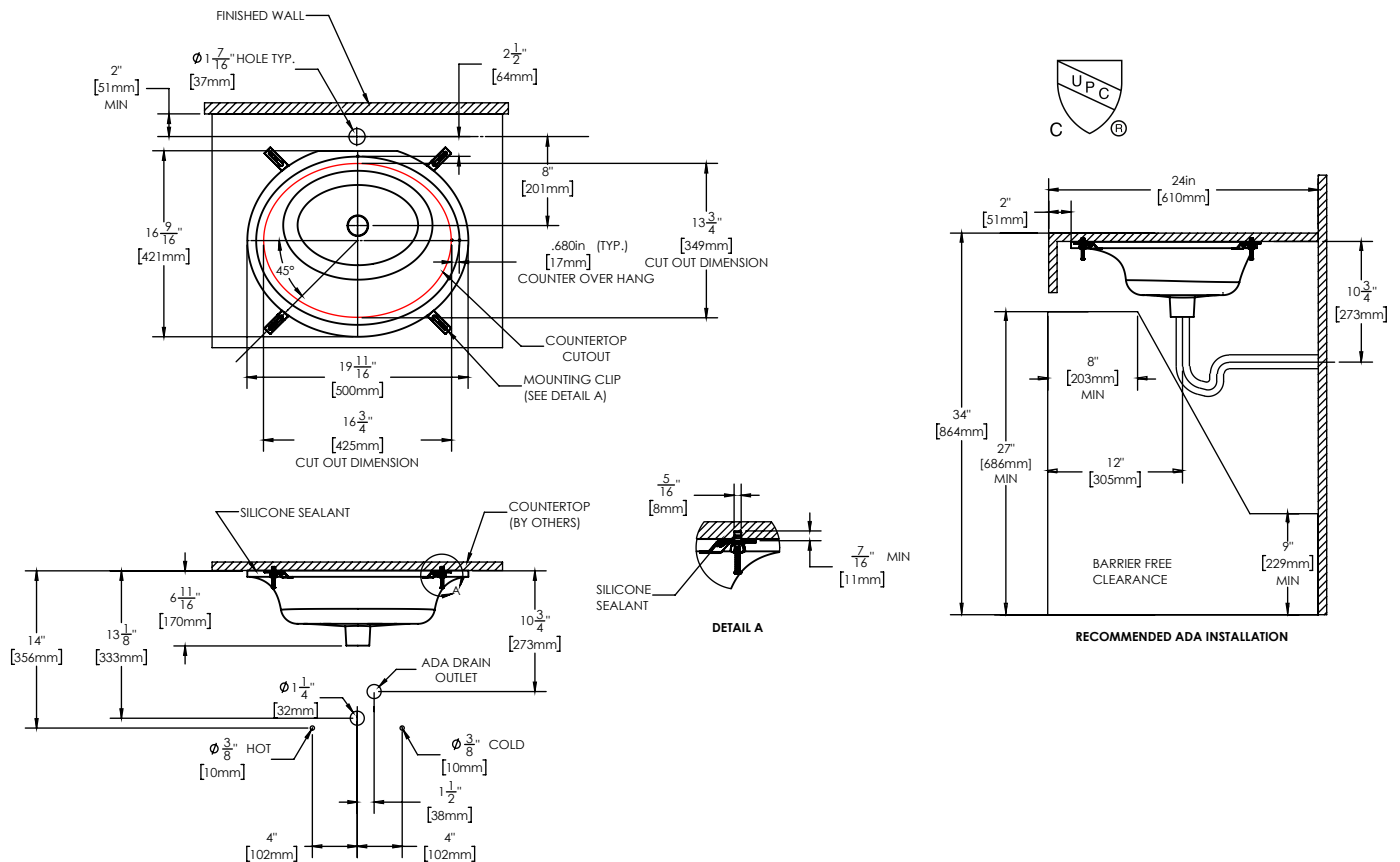
### STANDARDS:

- cUPC certified
- ASME A112.19.2/CSA B45.1 compliant

### WARRANTY:

Visit [www.speakman.com](http://www.speakman.com) for full product warranty information

- 1 Year Limited Warranty



All dimensions are in inches (millimeters) unless otherwise specified and are subject to change without notice.

Architect/Engineer Approval Space:

P: 800-537-2107  
 F: 800-977-2747  
 W: WWW.SPEAKMAN.COM  
 R: 02-JANUARY 2022